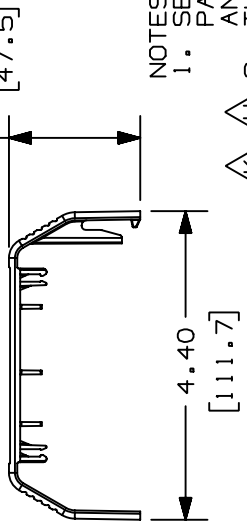
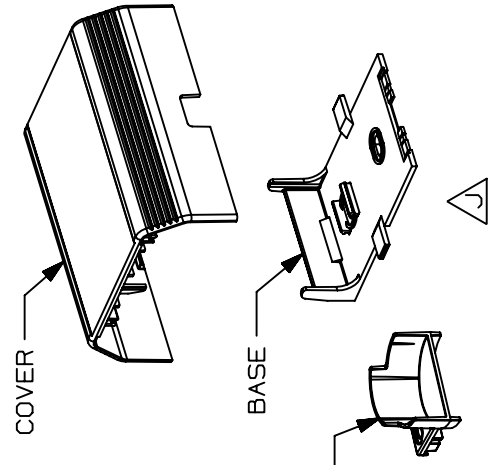
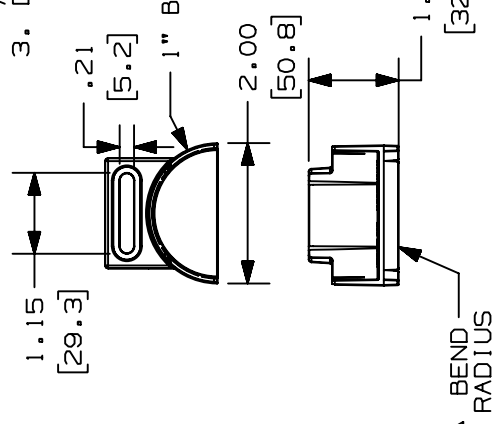
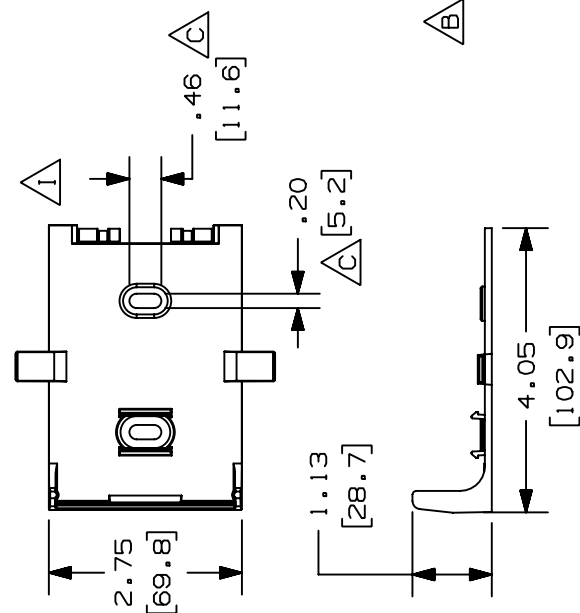


THIS COPY IS PROVIDED ON A RESTRICTED BASIS AND IS NOT TO BE USED IN ANY WAY DETRIMENTAL TO THE INTERESTS OF PANDUIT CORP.

PANDUIT P/N	WEIGHT
T70TR	.242 LBS/PC (108.2 g/PC)



- NOTES:
- SEE CURRENT CATALOG FOR ADDITIONAL PART SUFFIXES TO INDICATE COLOR AND OR PACKAGE QUANTITY. THIS PRODUCT IS INTENDED TO BE USED WITH PANDUIT TYPE LDS, LDP, LD, PD, T70, AND T45 RACEWAYS.
 - DIMENSIONS IN PARENTHESIS ARE IN METRIC.



REV	DATE	BY	CHK	DESCRIPTION	ECN	R	CUST	SUP
-	-----	---	---	L. REVISED WEIGHT PER PC: WAS PER 10 PCS	35541-49	----	----	----
5	05-18-04	JBN	BKR	REVISED NOTE #2 J. REVISED CAD FILE NAME	35541-49	RGRO	RGRO	
4	01-13-00	JHNJ	BKR	REVISED GEOMETRY FOR T45 BREAKOUT H. ADDED T70 AND T45 TO NOTE 2	35541-49	HIW	HIW	
-	-----	---	---	G. 2.42 LB (1082g) WAS 2.2 LB (984g)	-----	---	---	
3	12-20-98	M50	HIW	PVC WAS ABS/POLYCARBONATE E. REVISED DRAWING TITLE	35541-49	HIW	HIW	
2	06-22-98	DW	HIW	TITLE WAS SINGLE T70 TRANSITION B. ADDED TRANSITION BEND RADIUS; C. ADDED HOLE SIZE	35541-49	HIW	HIW	
1	10-18-96	PM	CEF	REVISED BREAKOUT GEOMETRY	35541-49	CEF	CEF	
R	10-08-96	PM	CEF	RELEASED TO PRODUCTION	35541-49	CEF	CEF	
REV	DATE	BY	CHK	DESCRIPTION	ECN	R	CUST	SUP

CAD FILENAME/LAYERS D35541CW_DC_T70TR_04A.prt

PANDUIT CORP. TINLEY PARK, ILLINOIS
T-70 TRANSITION WITH BEND RADIUS (T70TR)
CUSTOMER DRAWING

UNLESS OTHERWISE SPECIFIED, DIMENSIONAL TOLERANCES ARE:
(.X) ± .03(.8) ANGLES ±
(.XXX) ± .010(.3)
IN INCHES, THIRD ANGLE PROJECTION.

SCALE NONE
DRAWING NO. 35541-49
DWG SIZE A